



FEATURES

- Universal input Voltage : 90 - 264VAC, 50/60Hz
- DoE Level VI efficiency
- Over voltage, Over current, Short circuit protection
- Fully enclosed plastic case
- Fix AC PLUG:UL/EU/UK/CH/KR/JP
- Small wall-mounted type



TP018AHx series is a small wall-mounted type adapter. This series features universal input voltage, low power consumption, high efficiency, high reliability, and safer isolation, meets IEC/EN61000-4, CISPR22/EN55032 and UL60950. The entire series supplies different models with output voltages range between 5V and 15V that can satisfy the demands for the various types of consumer electronic devices, telecommunication devices, office and civil applications devices.

Electric Specifications

Output	Combinatorial output	USB-C1	USB-A	X	X
	USB-C single	5V/3A,9V/2A,12V/1.5A	*		
	USB-A single	*	3.6-6V/3A,6-9V/2A,9-12V/1.5A		
	USB-C+USB-A	5V/3A Share			
	Rated power	18W max	18W max		
	Voltage Accuracy	±5%	±5%		
	Line Regulation	±1%	±1%		
	Load Regulation	±5%	±5%		
	Ripple & Noise*	100mVp-p max	100mVp-p max		
	Start-up time	3s@100-240VAC, full load			
	Hold-up time	10ms@115VAC, full load, 20ms@230VAC, full load			
	Rise time	80ms max			
	Overshoot/Undershoot	±10%			
	Transient response	Output voltage range ±5%, load 25%-50%, 50%-75%, slope: 0.5A/us, frequency: 50Hz-10KHz			
Compatible With	Phones	iPhone XS / XS Max / XR / X / 8 Plus / 8 / 7 / 7 Plus / 6 Samsung Galaxy S10 / S10e / S10+ / S9 / S9+ / S8 / S8+ / Note 9 / Note 8 Huawei P10 / Mate 9 / Mate 20X / Mate 20 Pro LG G7 / V30+, Google Pixel / Pixel 3XL / 3 / 2XL / 2, Nexus 5X / 6P, Sony XZ2 Premium, Sony XZ3, and more			
	Tablets	iPad Pro 12.9" / iPad Pro 10.5" / iPad Pro 11" Note: Use a USB-C to Lightning cable for Power Delivery fast charging for iPad models earlier than 2018, and all compatible iPhones.			
	Laptops	MacBook Air 13" (2018) / MacBook 12" / MacBook Pro 13" / MacBook Pro 15" / Dell XPS 13" / Huawei MateBook			
Input	Input voltage	90 - 264VAC			
	Input frequency	47 - 63Hz			
	Efficiency(Typ.)	73.62%	77.05%	78.88%	78.88%
	Input current	0.15A Max@100VAC, full load			
	Inrush current	Cold start: 30A/230VAC			
	No load power	<0.1W			
	Leakage current	0.25mA Max@240VAC			
Protections	Over voltage	Rated output voltage 110%-150%			
	Over current	Rated output current 110%-200%, self-recovery			
	Short circuit	Hiccup, Continuous, self-recovery			
Note	* Ripple and noise are measured by 20MHz bandwidth; at full load, 100-240VAC input, output terminated with a 0.1uF ceramic capacitor and a 10uF electrolytic capacitor.				
AC PLUG	Fix Plug	UL/EU/UK/AU/PSE/KR/CCC			
	Interchangeable plug	\			

General Specifications

Item	Operating Conditions	Min.	Typ.	Max.	Unit
Isolation Voltage	Input-output, Test 1 minute, leakage current<5mA	3000	--	--	VAC
Insulation Resistance	Input-output, add 500Vdc test voltage	100	--	--	MΩ
Operating Temperature		-10	--	40	°C
Storage Temperature		-25	--	70	
Operating Humidity		--	--	90	%RH
Storage Humidity		--	--	95	
Altitude		--	--	2000	m
Lifetime	25°C	2			years
MTBF	MIL-HDBK-217F (25°C)	50000	--	--	hours

Casing Material	PC,120°C 94V-0
Color	Black/White(Other color can be designed by customization)
Dimension	(L)55.00mm*(W)24.00mm*(H)35.00mm
Weight	55g(Typ.)
Cooling Method	Free air convection

EMC Specifications

EMI	RE	EN55032, CLASS B		
	CE	EN55032, CLASS B		
EMS	ESD(MAX)	IEC/EN61000-4-2	Contact ±8KV/Air ±15KV	perf. Criteria B
	RS	IEC61000-4-3	3V/m	perf. Criteria A
	CS	IEC61000-4-6	3Vrms	perf. Criteria A
	Surge(MAX)	IEC/EN61000-4-5	±4KV/ ±4KV	perf. Criteria B

Note: standard ESD contact ±4KV/Air ±8KV, Surge ±1KV/ ±1KV.

Safety Standards

Application fields	Standard	Status	Note
IT	UL60950\IEC60950	Approved	
AV	UL60065\IEC60065	Meet	
Home appliances	\	*	
IT&AV	UL62368\IEC62368	Meet	
Lighting	\	*	

MODEL LIST

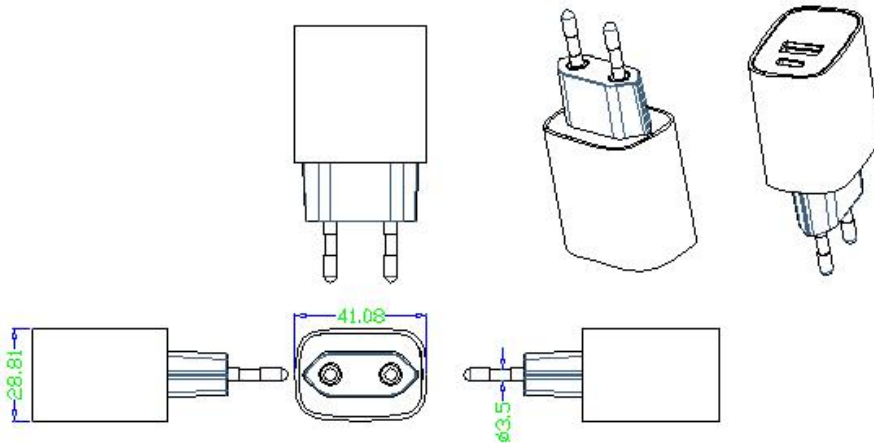
MODEL	Input rating	Output voltage(Vdc)	Max. Output current (mA)	Max. Output power (W)
TP018AHx	100-240V~50/60Hz,0.5A	3.6-12V dc	3000mA	18W

Note:

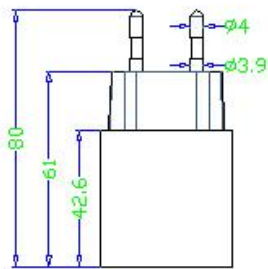
1、 "x" can be 01 and Z.

"1" means US plug; "2" means EU plug;"3" means UK plug;"4" means AU plug;"5" means CN plug;"6" means JP plug;"7" means KC plug; "8" means BR plug;"Z" means detachable plug type enclosure used.

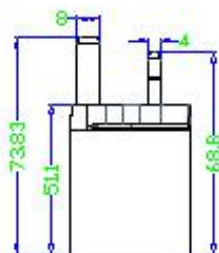
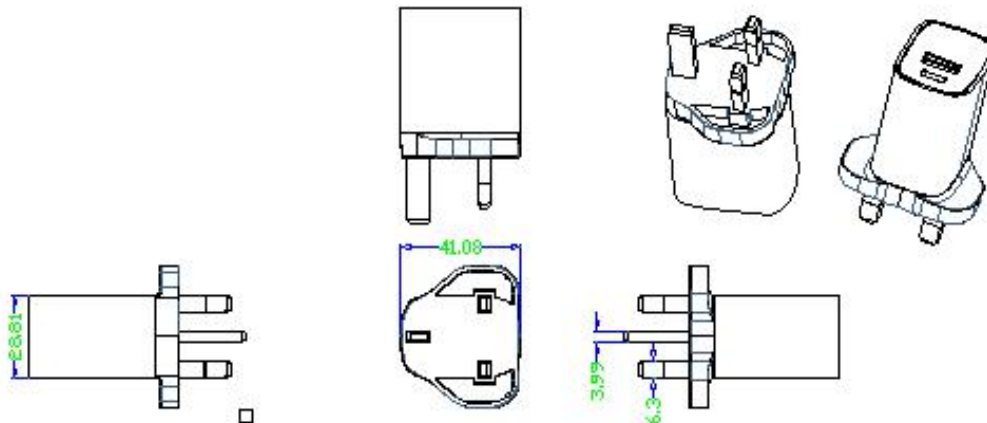
Mechanical Drawing



Note:
No display tolerance: ± 0.12
Unit: mm

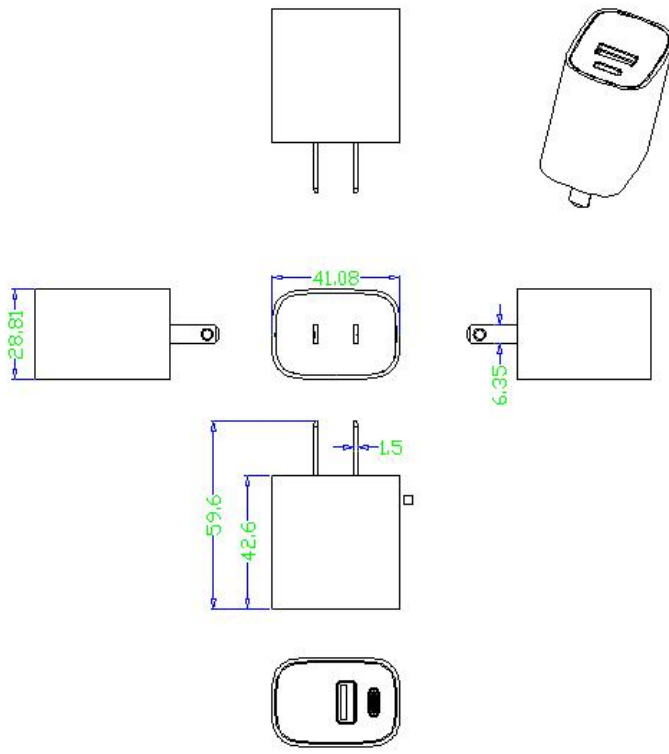


EU PLUG



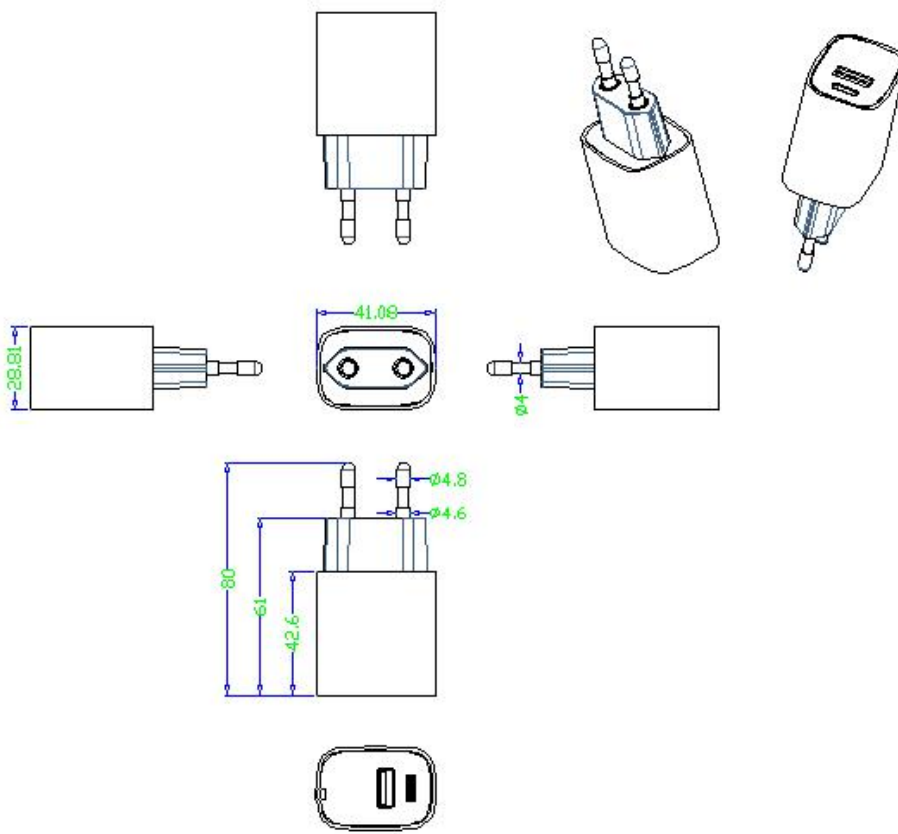
UK PLUG

Mechanical Drawing



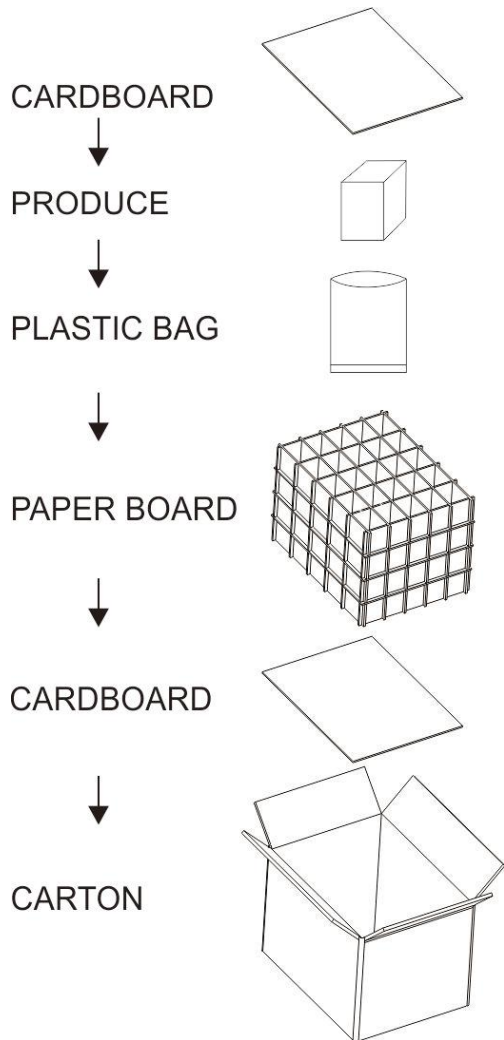
US PLUG

Note:
No display tolerance: ± 0.12
Unit: mm



KC PLUG

Package Drawing



Note:

1. Storage condition:
Temperature: -25℃~+70℃
Relative humidity: 30%~80%RH.
2. Storage period: 6 months.
3. Antistatic: no requirement.

Note:

1. Products are related to laws and regulations: , "EMC" and "Safety standards".
2. Our products shall be classified according to ISO14001 and related environmental laws and regulations, and shall be handled by qualified units.
3. If the product is not operated within the required load range, the product performance cannot be guaranteed to comply with all parameters in the datasheet ;
4. Unless otherwise specified, parameters in this datasheet were measured under the conditions of Ta=25℃, humidity<75% with nominal input voltage and rated output load;
5. All index testing methods in this datasheet are based on our Company's corporate standards;
6. We can provide product customization service; Please contact our technicians directly for specific information;

tpowertec Limited.

Address: 1202 Room, No 62, Chashan Zhanshan Road, Chashan Town, Dongguan City, Guangdong Province, China

Tel: 86-769-82680092

Fax: 86-769-82680063

E-mail: sam@tpowertec.cn